

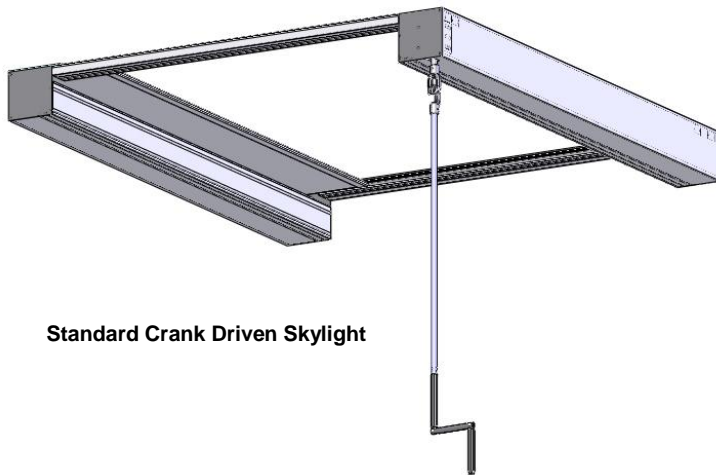
Product Cut Sheet: Skylight, Standard

Skylight, Standard with Snap-On Side Channels

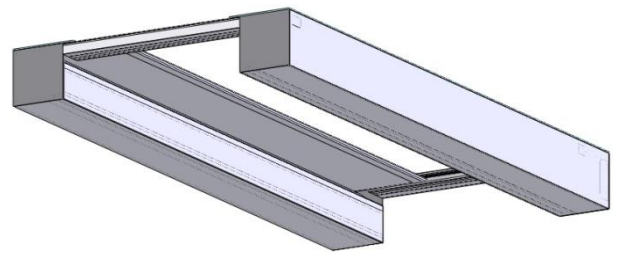
For small Skylight applications Mariak Industries Inc. offers motorized and crank driven solutions. An "L" shaped 4 ½" by 4 ½" aluminum extrusion creates main body of the skylight and covers the back and bottom of the assembly. The inside portion on both sides of the extrusion is closed with the closure plate. The top portion of the assembly is covered with 5" wide top plate. Two driving options are available to move roller shade back and forth. Motorized option uses AC motors while the manual option uses heavy duty crank mechanism with a 7:1 turning ratio and a detachable arm. Both option come with two-piece 2 ½" by 1" side channels on both ends.

Roll: Available for regular or reversed roll
Color: White
Mount: Inside
Clutch: Crank
Motor: AC
Wires: Right or Left
Minimum Width: 30"
Maximum Width: 60"

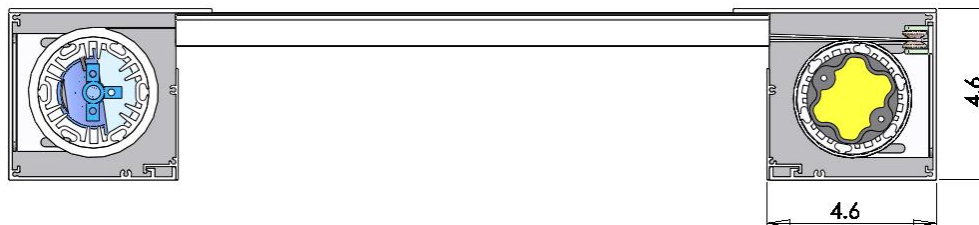
Minimum Length: 30"
Maximum Length: 96"



Standard Crank Driven Skylight



Standard Motorized Skylight



Cross section of Standard Motorized Skylight

Standard Motorized Skylight

In the Standard Motorized Skylight offered by Mariak Industries Inc., a tubular AC motor is attached with motor brackets to the back wall of an "L" extrusion. An aircraft cable attached to the tube is guided through the pulleys into the side channels. The opposite end of the cable is attached to the shade hem bar. Cables are never visible during skylight operation. The shade material is wrapped on the tube on the opposite side of the assembly. A powerful spring assist keeps fabric in constant tension.

Specifications:

Electric Motor: Tubular AC motor, lifetime lubricated, instantly reversible, thermal overload protector and electric brake.

Hardware:

- Roller tubes – 6063 T6 extruded aluminum reinforced with ribs
- Spring take up – Industrial quality 2 ¾" roller with heavy duty .090" wire spring
- Idlers – Nylon 6 body with zinc plated steel pin
- Brackets – Industrial quality zinc plated 14 gage steel
- End caps – 6063 T5 extruded aluminum .100" thick.
- Head box – 6063 T5 aluminum extrusion
- Tension wire – Type 302/304 Stainless Steel Wire, Ø.063 Braking Strength 270lb

Mariak Contract
575 W. Manville Street
Rancho Dominguez, CA 90220

Ph: (800) 562-7425
Fx: (800) 459-6999
www.mariak.com

Mariak
Contract